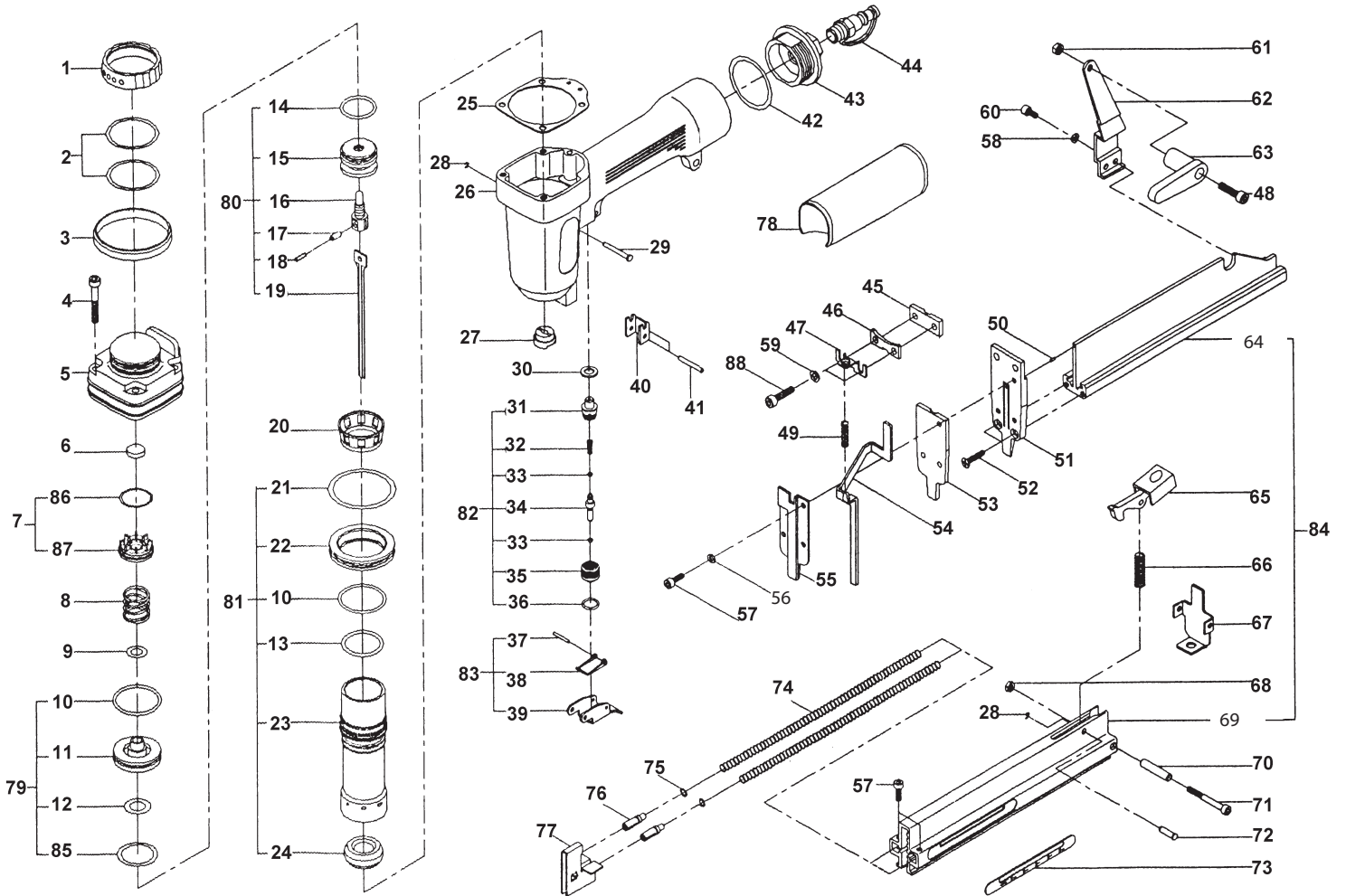




10 - 2010

AT638

# 14" NARROW CROWN STAPLER



\*Old parts and New parts are completely interchangeable each other. (Part No. change only)

Item No.	Type	Sub	Part No. (Old No.)	Part No. (New No.)	Description	Qty	Unit
1			A346-07	A0304-0301	EXHAUST VALVE COLLAR	1	PC.
2			A311-0K	A0200-1581	O-RING 34.5x1.8	2	PC.
3			A312-03	A0204-0011	COVERY GRIP	1	PC.
4			A200-20	A0000-0201	SCREW 5x35	4	PC.
5			I230-NO	A0301-0171	EXHAUST COVER	1	PC.
6			A343-29	A0311-0121	SEAL, AIR	1	PC.
7			B346-06	K0300-0671	EXHAUST VALVE ASS'Y	1	PC.
		INC.			Item No. 86, 87		
8			A210-25	A0100-0221	SPRING	1	PC.
9			A311-0P	A0200-0231	O-RING 9.8x2.4	1	PC.
10			A311-96	A0200-1041	O-RING 32 x2.5	2	PC.
11			A340-06	A0308-0221	HEAD VALVE PISTION	1	PC.
12			A311-0R	A0200-0251	O-RING 13x3	1	PC.
13			A311-40	A0200-0601	O-RING 26.59 x 2.95	1	PC.
14			A311-54	A0200-0721	O-RING 22.9 x 2.7	1	PC.
15			A262-24	A0602-0181	PISTON HEAD	1	PC.
16			A261-01	A0601-0011	DRIVER BLADE PIN	1	PC.
17			A206-11	A0011-0051	OUTER SPRING PIN 4x10	1	PC.
18			A206-12	A0011-0061	INNER SPRING PIN 2.5x10	1	PC.
19			A260-C3	A0600-0891	DRIVER BLADE	1	PC.
20			A334-02	A0305-0081	SLEEVE RETAINER	1	PC.
21			A311-0T	A0200-0271	O-RING 44.8x2.6	1	PC.
22			A344-02	A0800-0391	SPACER	1	PC.
23			A232-23	A0303-0182	CYLINDER	1	PC.
24			A341-21	A0309-0181	BUMPER	1	PC.
25			A343-24	A0205-0101	GASKET	1	PC.
26			I22N-08	A0401-0221	BODY	1	PC.
27			A342-01	A0310-0121	NOZZLE	1	PC.
28			A205-04	A0005-0041	E-RING Ø 2.5	2	PC.
29			A206-65	A0006-0291	STEP PIN φ5x28	1	PC.
30			A343-02	A0505-0021	SEAL, AIR	1	PC.
31			A251-10	A0503-0091	TRIGGER VALVE HEAD	1	PC.
32			A210-89	A0104-0031	SPRING	1	PC.
33			A311-22	A0200-0431	O-RING 1.9 x 1.2	2	PC.
34			A251-12	A0504-0061	TRIGGER VALVE STEM	1	PC.
35			A251-02	A0503-0061	TRIGGER VALVE GUIDE	1	PC.
36			A311-11	A0200-0331	O-RING 9.7 x 1.9	1	PC.
37			A206-10	A0011-0041	SPRING PIN 2 x 16	1	PC.
38			A250-06	A0501-0001	RELEASING BLADE	1	PC.
39			A250-23	A0500-0101	TRIGGER	1	PC.
40			A281-42	A0711-0891	BLOCK	1	PC.
41			A206-29	A0011-0161	SPRING PIN 3x24	2	PC.
42			A311-0U	A0200-0281	O-RING 37.5x3.5	1	PC.
43			A235-A0	A0306-0241	TAIL COVER	1	PC.
44			B236-11	B0300-0421	AIR PLUG WITH DUSTER	1	PC.
45			A290-20	A0800-0161	SPACER	1	PC.
46			A293-04	A0800-0231	SPACER	1	PC.
47			A275-07	A0719-0041	SPRING HOLDER	1	PC.
48			A200-09	A0000-0091	SCREW 5x20	1	PC.
49			A210-23	A0100-0211	COMPRESSION SPRING	1	PC.
50			A206-61	A0011-0271	SPRING PIN 1.5 x 10	1	PC.
51			A291-88	A0801-0571	DRIVER GUIDE	1	PC.
52			A201-03	A0001-0001	SCREW 4x18	2	PC.
53			A295-63	A0800-0341	SPACER	1	PC.
54			A280-84	A0711-0581	RELEASE CATCH	1	PC.
55			A295-60	A0801-1471	DRIVER GUIDE COVER	1	PC.
56		1	A205-08	N/A	WASHER#4 x 1.2t (Old)	5	PC.
		2	A205-05	A0005-0051	WASHER#4 x 0.9t	5	PC.
57			A200-23	A0000-0231	SCREW 4x12	5	PC.
58			A205-05	A0005-0051	WASHER#4 x 0.9t	2	PC.
59			A205-03	A0005-0031	WASHER #5 x 1.1t	2	PC.

\*Old parts and New parts are completely interchangeable each other. (Part No. change only)

Item No.	Type	Sub	Part No. (Old No.)	Part No. (New No.)	Description	Qty	Unit
60			A200-01	A0000-0011	SCREW 4x8	2	PC.
61			A204-02	A0004-0021	NYLON NUT M5	1	PC.
62			A274-07	A0706-0051	SUPPORT	1	PC.
63			A349-06	A0316-0041	BELT HOOK	1	PC.
64			A271-91	A0701-0621	LOWER MAG	1	PC.
65			A377-00	A0709-0281	CLICK LEVER	1	PC.
66			A210-96	A0100-0591	SPRING	1	PC.
67			A235-07	A0718-0001	TAIL COVER	1	PC.
68			A204-01	A0004-0011	NYLON NUT M4	1	PC.
69			A270-86	A0700-0621	UPPER MAG.	1	PC.
70			A278-27	A0710-0221	SPACER	1	PC.
71			A200-27	A0000-0271	SCREW 4 x 37	1	PC.
72			A206-60	A0006-0261	STEP PIN Ø 5 x 14	1	PC.
73			A349-07	A0316-0051	SCALEBOARD	1	PC.
74			A210-1A	A0100-0151	FEEDER SPRING	2	PC.
75			A311-OW	A0200-0291	O-RING 4 x 1.25	2	PC.
76			A374-04	A0706-0701	SPRING HOLDER	2	PC.
77			A275-63	A0707-0371	PUSHER	1	PC.
78			A312-04	A0204-0021	HANDLE GRIP	1	PC.
79			B340-06	K0300-0601	HEAD VALVE PISTON SET	1	SET
		INC.			Item No. 10-12, 85		
80			B260-C3	K0600-0471	PISTON SET	1	SET
		INC.			Item No. 14-19		
81			B232-23	K0300-0291	CYLINDER SET	1	SET
		INC.			Item No. 10, 13, 21-24		
82			B251-02	B0500-0071	TRIGGER VALVE SET	1	SET
		INC.			Item No. 31-36		
83			B250-23	K0500-0031	TRIGGER SET	1	SET
		INC.			Item No. 37-39		
84			B271-91	B0700-0551	MAGAZINE ASS'Y	1	SET
		INC.			Item No. 64,69		
85			A311-B9	A0200-1231	O-RING 24.5x3	1	PC.
86			A311-0Q	A0200-0241	O-RING 22x1.5	1	PC.
87			A346-06	A0314-0141	EXHAUST VALVE SITE	1	PC.
88			A200-10	A0000-0101	SCREW 5x22	2	PC.
<b>ACCESSORIES</b>							
A01	1		E112-00		OIL DISPENSER 20CC	1	PC.
	2		181434-7		OIL SUPPLY 30CC	1	PC.
A02	1		191686-A		MAKITA SAFETY GLASSES - N/L/A	1	PC.
	2		191687-A		MAKITA SAFETY GLASSES - N/L/A	1	PC.
	3		A0908-0171		MAKITA SAFETY GOGGLES	1	PC.
A03			-----		NAILS (See Catalogue for details)	1	PC.
A04			-----		COUPLERS (See Catalogue for details)	1	PC.
A05			783201-2		WRENCH 3	1	PC.
			783202-0		WRENCH 4	1	PC.
A06			-----		AIR HOSE (See Catalogue for details)	1	PC.
A07			182935-8		SIDE LOCK	2	PC.
A08			E110-41	A0905-0361	PLASTIC CARRYING CASE (BLOW)	1	PC.